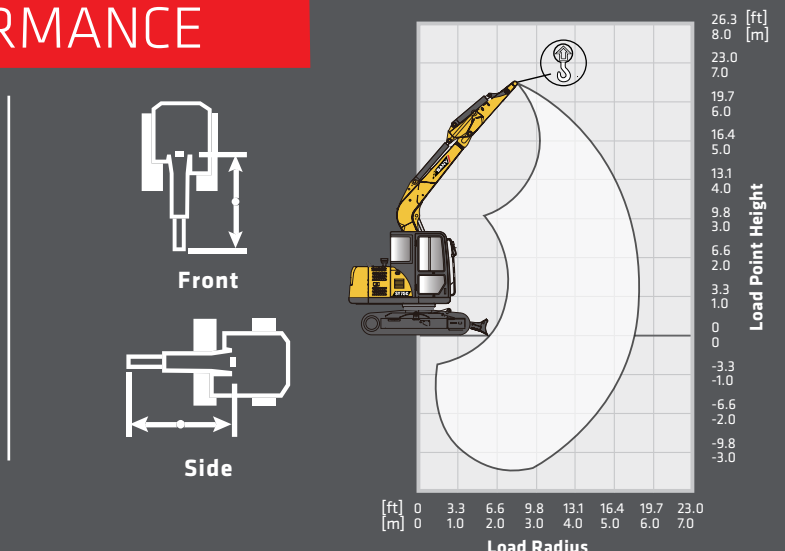


SY75C LIFTING PERFORMANCE

Standard 12' 3" (3 720 mm) Boom
 Standard 6' 9" (2 050 mm) Arm
 Standard 18" (450 mm) Track Shoes
 No Bucket

Ratings are based on ISO 10567:2007. Lift capacity does not exceed 75% of tipping load with the machine on firm, level ground or 87% of hydraulic lifting capacity.



BLADE DOWN

LOAD RADIUS	3.3 ft 1.0 m		6.6 ft 2.0 m		9.8 ft 3.0 m		13.1 ft 4.0 m		16.4 ft 5.0 m		MAX REACH	
LOAD POINT HEIGHT												
19.7 ft 6.0 m					3,050 lb* 1 385 kg*	3,050 lb* 1 385 kg*					2,670 lb* 1 210 kg*	2,670 lb* 1 210 kg*
16.4 ft 5.0 m							2,975 lb* 1 350 kg*	2,975 lb* 1 350 kg*			2,250 lb* 1 020 kg*	2,250 lb* 1 020 kg*
13.1 ft 4.0 m					2,900 lb* 1 315 kg*	2,900 lb* 1 315 kg*	2,985 lb* 1 355 kg*	2,985 lb* 1 355 kg*	2,335 lb* 1 060 kg*	2,335 lb* 1 060 kg*	2,095 lb* 950 kg*	2,095 lb* 950 kg*
9.8 ft 3.0 m			4,650 lb* 2 100 kg*	4,650 lb* 2 110 kg*	3,770 lb* 1 710 kg*	3,770 lb* 1 710 kg*	3,385 lb* 1 535 kg*	3,385 lb* 1 535 kg*	3,220 lb* 1 460 kg*	2,700 lb* 1 225 kg	2,050 lb* 930 kg*	2,050 lb* 930 kg*
6.6 ft 2.0 m					5,015 lb* 2 275 kg*	5,015 lb* 2 275 kg*	3,925 lb* 1 780 kg*	3,660 lb* 1 660 kg	3,495 lb* 1 585 kg	2,625 lb* 1 190 kg	2,095 lb* 950 kg*	2,095 lb* 950 kg*
3.3 ft 1.0 m					6,150 lb* 2 790 kg	5,290 lb* 2 400 kg	4,550 lb* 2 065 kg*	3,305 lb* 1 590 kg	3,780 lb* 1 715 kg*	2,545 lb* 1 155 kg	2,115 lb* 960 kg*	2,095 lb* 950 kg
0 ft 0 m			4,820 lb* 2 185 kg*	4,820 lb* 2 185 kg*	6,800 lb* 3 085 kg*	5,100 lb* 2 315 kg	4,970 lb* 2 255 kg*	3,375 lb* 1 530 kg	4,000 lb* 1 815 kg*	2,480 lb* 1 125 kg	2,435 lb* 1 105 kg*	2,160 lb* 980 kg
-3.3 ft -1.0 m	4,640 lb* 2 105 kg*	4,640 lb* 2 105 kg*	7,500 lb* 3 405 kg*	7,500 lb* 3 405 kg*	6,920 lb* 3 138 kg	5,015 lb* 2 275 kg	5,105 lb* 2 315 kg*	3,320 lb* 1 505 kg	3,980 lb* 1 805 kg*	2,460 lb* 1 115 kg	2,870 lb* 1 300 kg*	2,360 lb* 1 070 kg
-6.6 ft -2.0 m	7,530 lb* 3 415 kg*	7,530 lb* 3 415 kg*	9,390 lb* 4 260 kg*	9,390 lb* 4 260 kg*	6,515 lb* 2 955 kg*	5,025 lb* 2 280 kg	4,805 lb* 2 180 kg*	3,330 lb* 1 510 kg			3,705 lb* 1 680 kg*	2,810 lb* 1 275 kg
-9.8 ft -3.0 m			7,580 lb* 3 440 kg*	7,580 lb* 3 440 kg*	5,280 lb* 2 395 kg*	5,160 lb* 2 340 kg					4,155 lb* 1 885 kg*	4,010 lb* 1 820 kg

BLADE UP

19.7 ft 6.0 m					3,050 lb* 1 385 kg*	3,050 lb* 1 385 kg*					2,670 lb* 1 210 kg*	2,670 lb* 1 210 kg*
16.4 ft 5.0 m							2,975 lb* 1 350 kg*	2,975 lb* 1 350 kg*			2,250 lb* 1 020 kg*	2,250 lb* 1 020 kg*
13.1 ft 4.0 m					2,900 lb* 1 315 kg*	2,900 lb* 1 315 kg*	2,985 lb* 1 355 kg*	2,985 lb* 1 355 kg*	2,335 lb* 1 060 kg*	2,335 lb* 1 060 kg*	2,095 lb* 950 kg*	2,095 lb* 950 kg*
9.8 ft 3.0 m			4,650 lb* 2 100 kg*	4,650 lb* 2 110 kg*	3,770 lb* 1 710 kg*	3,770 lb* 1 710 kg*	3,385 lb* 1 535 kg*	3,385 lb* 1 535 kg*	2,890 lb* 1 310 kg	2,700 lb* 1 225 kg	2,050 lb* 930 kg*	2,050 lb* 930 kg*
6.6 ft 2.0 m					5,015 lb* 2 275 kg*	5,015 lb* 2 275 kg*	3,925 lb* 1 780 kg*	3,660 lb* 1 660 kg	2,810 lb* 1 275 kg	2,625 lb* 1 190 kg	2,095 lb* 950 kg*	2,095 lb* 950 kg*
3.3 ft 1.0 m					5,800 lb* 2 630 kg	5,290 lb* 2 400 kg	3,770 lb* 1 710 kg	3,305 lb* 1 590 kg	2,722 lb* 1 235 kg	2,545 lb* 1 155 kg	2,115 lb* 960 kg*	2,095 lb* 950 kg
0 ft 0 m			4,820 lb* 2 185 kg*	4,820 lb* 2 185 kg*	5,600 lb* 2 540 kg	5,100 lb* 2 315 kg	3,640 lb* 1 655 kg	3,375 lb* 1 530 kg	2,650 lb* 1 205 kg	2,480 lb* 1 125 kg	2,315 lb* 1 050 kg	2,160 lb* 980 kg
-3.3 ft -1.0 m	4,640 lb* 2 105 kg*	4,640 lb* 2 105 kg*	7,500 lb* 3 405 kg*	7,500 lb* 3 405 kg*	5,510 lb* 2 500 kg	5,015 lb* 2 275 kg	3,580 lb* 1 625 kg	3,320 lb* 1 505 kg	2,635 lb* 1 195 kg	2,460 lb* 1 115 kg	2,535 lb* 1 150 kg	2,360 lb* 1 070 kg
-6.6 ft -2.0 m	7,530 lb* 3 415 kg*	7,530 lb* 3 415 kg*	9,390 lb* 4 260 kg*	9,390 lb* 4 260 kg*	5,530 lb* 2 510 kg	5,025 lb* 2 280 kg	3,590 lb* 1 630 kg	3,330 lb* 1 510 kg			3,020 lb* 1 370 kg	2,810 lb* 1 275 kg
-9.8 ft -3.0 m			7,580 lb* 3 440 kg*	7,580 lb* 3 440 kg*	5,280 lb* 2 395 kg*	5,160 lb* 2 340 kg					4,155 lb* 1 885 kg*	4,010 lb* 1 820 kg

* Indicates load limited by hydraulic lifting capacity
 In the interest of continual equipment development, SANY America Inc. reserves the right to change these specifications at any time without prior notification.

SY75C

PRODUCT SPECIFICATIONS

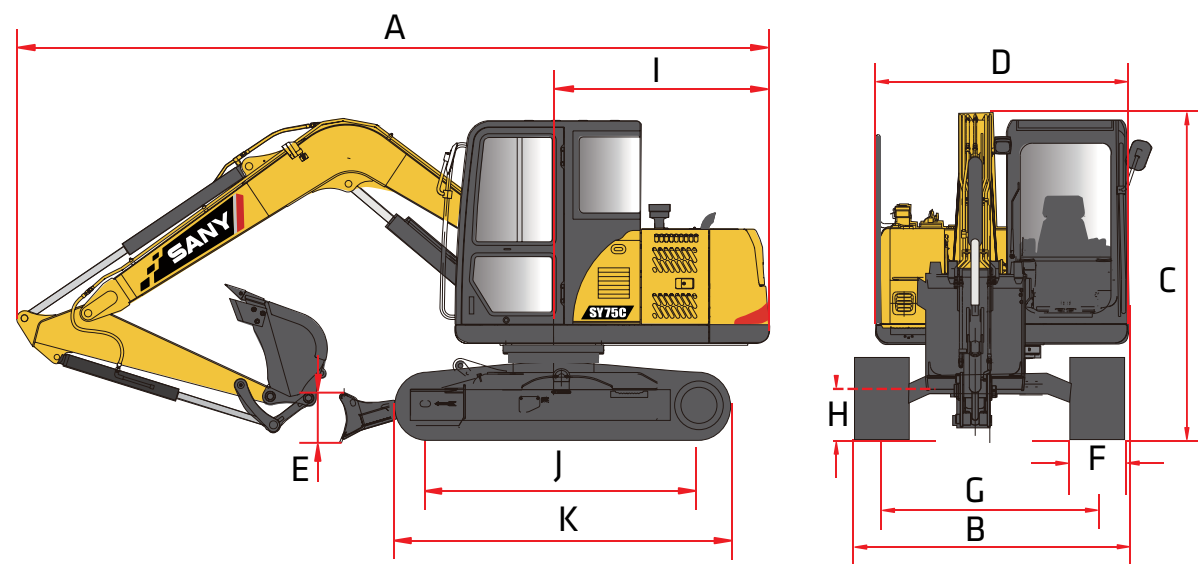


STANDARD FEATURES

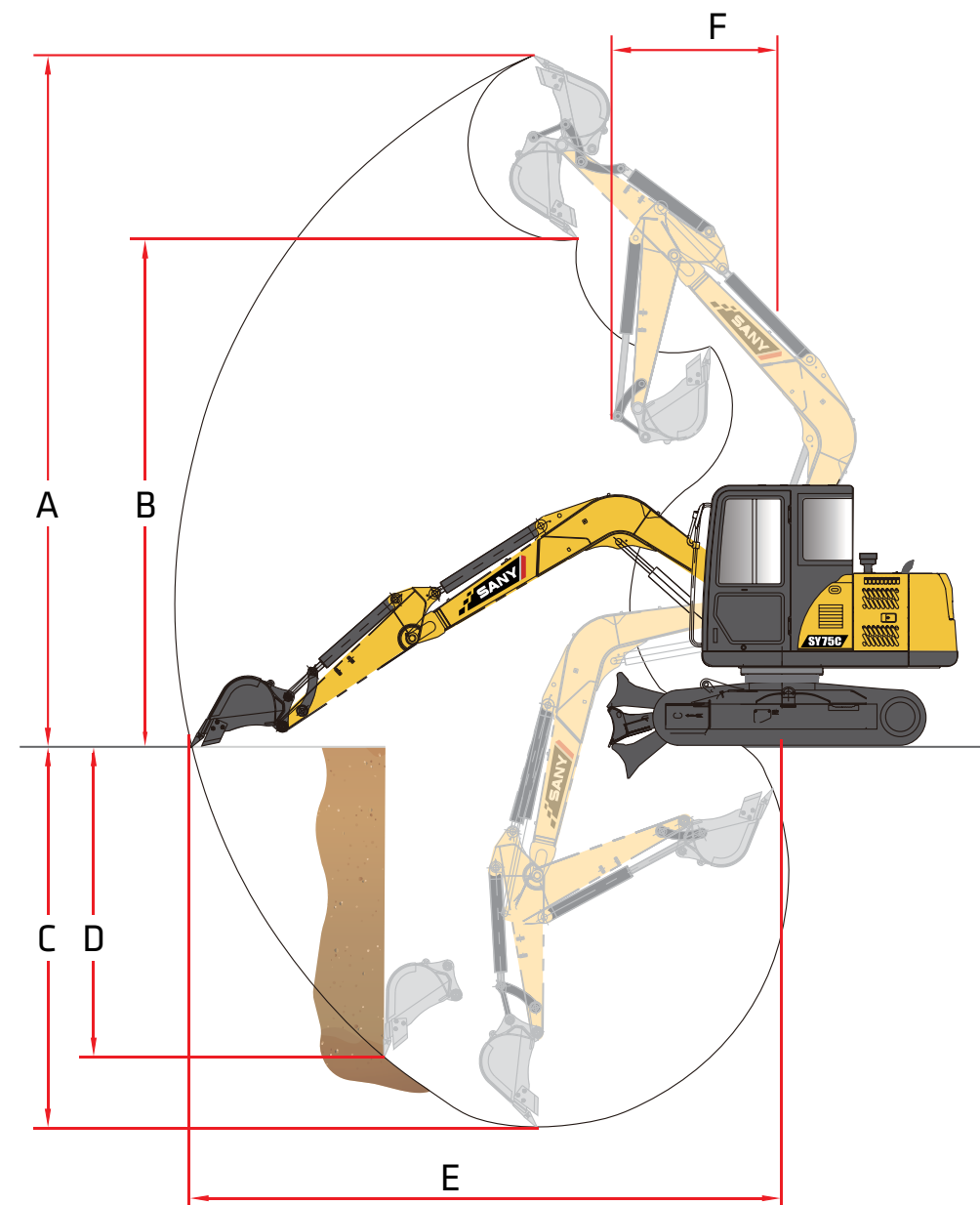
- Extra reinforcements in the boom, arm, swing platform and undercarriage
- Load-Sensing Hydraulic System Provides Increased Efficiency and Control
- Powerful Yanmar Engine with low noise and excellent fuel efficiency
- Equipped with joystick controlled, proportional, bi-directional auxiliary hydraulics

Gross Power	57 hp
Dig Depth	14' 7"
Operating Weight	16,050 lb
Bucket Breakout	11,465 lbf

DIMENSIONS



WORKING RANGE



Compact Design with Powerful Performance

TECHNICAL SPECIFICATIONS

Operating Weight	16,050 lb	7 280 kg
Ground Pressure	5.5 psi	37.9 kPa
Engine	Yanmar 4TNV98C	
Displacement	201.4 in ³	3.3 L
Gross Power	57 HP	42.4 kW
Hydraulics	Load Sensing with Pilot Control	
Main Hydraulic Pump	Axial Piston - Variable Displacement	
Operating Pressure (maximum)	4,496 psi	31 MPa
Auxiliary Flow (maximum)*	32 gal/min	120 l/min
Auxiliary Pressure (maximum)	3,626 psi	25 MPa
Travel Motor	Axial Piston with Park Brake	
Travel Pressure (maximum)	3,814 psi	26.3 MPa
Travel Speeds (maximum)	1.6/2.8 mph	2.6/4.5 km/hr
Travel Effort (maximum)	15,736 lbf	70 kN
Grade Capability (maximum)	35°	
Swing Motor	Axial Piston with Swing Brake	
Swing Speed (maximum)	10.2 rpm	
Undercarriage (standard)	Belted Rubber Track	
Track Width (standard)	1' 6"	450 mm
Track Rollers (per side)	5	
Carrier Rollers (per side)	1	

DIMENSIONS

Boom Length	12' 3"	3 720 mm
Stick (Arm) Length	6' 9"	2 050 mm
A Transport Length	20' 1"	6 125 mm
B Transport Width	7' 3"	2 200 mm
C Transport Height	8' 11"	2 720 mm
D Upper Structure Width	6' 8"	2 040 mm
E Blade Height	1' 4"	405 mm
F Track Width	1' 6"	450 mm
G Track Gauge	5' 9"	1 750 mm
H Ground Clearance	1' 3"	380 mm
I Tail Swing Radius	5' 11"	1 800 mm
J Track Length on Ground	7' 2"	2 195 mm
K Track Length	9' 3"	2 820 mm

SERVICE REFILL CAPACITIES

Fuel Tank Capacity	26.4 gal	99.9 L
Hydraulic Tank Capacity	31.7 gal	119.9 L
Engine Oil Capacity	2.7 gal	10.2 L
Cooling System Capacity	3.1 gal	11.7 L

*Based on theoretical calculation at max flow with no load. Subject to alterations.

In the interest of continual equipment development, SANY America, Inc. reserves the right to change these specifications at any time without prior notification. ©2022 SANY America Inc. HEXPS22SY75C001

WORKING RANGE

Boom Length	12' 3"	3 720 mm
Arm Length	6' 9"	2 050 mm
A Maximum Digging Height	24'	7 390 mm
B Maximum Dumping Height	18'	5 490 mm
C Maximum Digging Depth	14' 7"	4 450 mm
D Maximum Vertical Wall Digging Depth	12' 3"	3 740 mm
E Maximum Reach at Ground Level	21' 4"	6 505 mm
F Minimum Swing Radius	6' 4"	1 940 mm

DIGGING PERFORMANCE

Boom Length	12' 3"	3 720 mm
Arm Length	6' 9"	2 050 mm
Bucket Breakout Force (ISO)	11,465 lbf	50 kN
Arm Breakout Force (ISO)	11,914 lbf	53 kN

In the interest of continual equipment development, SANY America, Inc. reserves the right to change these specifications at any time without prior notification. ©2022 SANY America Inc. HEXPS22SY75C001